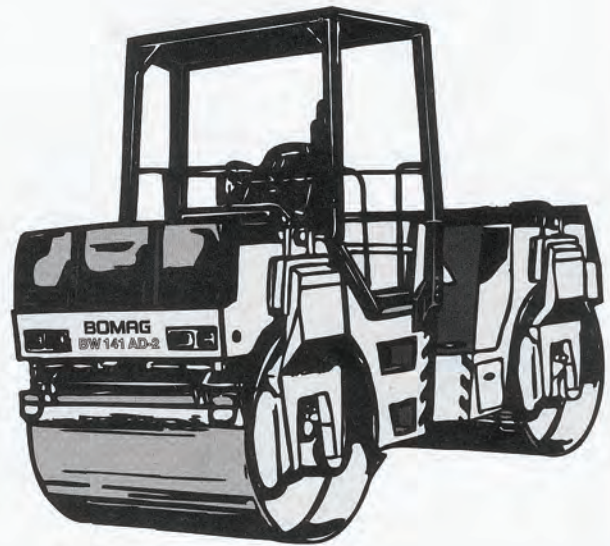


# BOMAG

## Tandem-Vibratory Rollers BW 141 AD-2, BW 151 AD-2

### PERFORMANCE DATA



BW 141 AD-2 - ASPHALTIC CONCRETE (material weight 140 lb/cu ft)						
# passes	rolling speed	area coverage sq yd/hr	"productivity in tons/hr by lift thickness, 100% efficiency"			
	(mph)		1.5 inches	2 inches	2.5 inches	3 inches
2	3.41	4921	391	521	642	772
3	3.41	3281	260	347	428	515
4	3.41	2461	195	260	321	386
5	3.41	1969	156	208	257	309
6	3.41	1640	130	174	214	257

BW 151 AD-2 - ASPHALTIC CONCRETE (material weight 140 lb/cu ft)						
# passes	rolling speed	area coverage sq yd/hr	"productivity in tons/hr by lift thickness, 100% efficiency"			
	(mph)		1.5 inches	2 inches	2.5 inches	3 inches
2	3.41	5510	435	579	724	869
3	3.41	3673	290	386	483	579
4	3.41	2755	217	290	362	435
5	3.41	2204	174	232	290	348
6	3.41	1837	145	193	241	290

Note: Rolling speed selected provides impact spacing of 10 impacts per foot at high vibration frequency setting. If high amplitude is used, rolling speed should be reduced to 2.7 miles per hour to provide impact spacing of 10 impacts per foot.



# TECHNICAL DATA

## Shipping dimensions

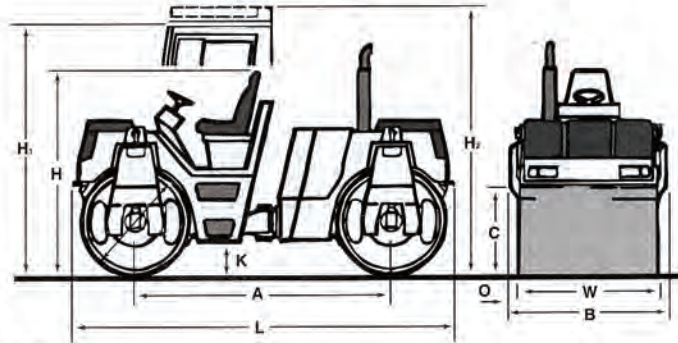
in cubic feet (m <sup>3</sup> )	without	with ROPS/FOPS
BW 141 AD-2	544.4 (15.4)	767.3 (21.7)
BW 151 AD-2	602.7 (17.1)	849.5 (24.1)

## Standard Equipment

- Hydrostatic travel and vibration drives
- Bolt-on oscillating/articulating joint
- Hydrostatic articulated steering
- Spring-Applied, Hydraulically-Released (SAHR) parking brakes on each drum
- Crab-steering to both sides (6.7 inches)
- Hydraulically driven water pump
- High capacity plastic water tanks
- Automatic vibration operation
- Vibration control in travel lever
- Independent vibration control of either drum
- Dual vibrating frequencies and amplitudes
- Laterally sliding/pivoting seat and controls assembly
- Pivoting steering wheel column
- Pressurized water spray system
- Emergency STOP
- Spring-loaded, hinged scrapers (2 per drum)
- ROPS / FOPS with seat belt

## Optional Equipment

- Lights & turn signals (front & rear)
- Back up alarm
- Special paint



## Dimensions in inches (mm)

	A	B	C	D	H	H <sub>1</sub>	H <sub>2</sub>	K	L	O	W
BW 141 AD-2	114.2 (2900)	66.1 (1679)	36.4 (925)	47.2 (1199)	82.7 (2100)	111.2 (2825)	116.5 (2959)	15.2 (386)	172.0 (4369)	3.5 (90)	59.1 (1500)
BW 151 AD-2	114.2 (2900)	73.2 (1860)	36.4 (925)	47.2 (1199)	82.7 (2100)	111.2 (2825)	116.5 (2959)	15.2 (386)	172.0 (4369)	3.5 (90)	66.1 (1680)

## Technical data

	BOMAG BW 141 AD-2		BOMAG BW 151 AD-2			
<b>Weights</b>						
Basic weight with ROPS/FOPS.....	lbs	(kg)	13814	(6266)	14586	(6616)
Operating weight.....	lbs	(kg)	15015	(6811)	15785	(7160)
Axle load, drum (front/rear).....	lbs	(kg)	7460/7555	(3383/3427)	7844/7941	(3558/3602)
Static linear load (front/rear).....	pli	(kg/cm)	126.2/127.8	(22.6/22.8)	118.7/120.1	(21.2/21.4)
<b>Dimensions</b>						
Working width.....	in	(mm)	59.1	(1500)	66.1	(1680)
Side clearance.....	in	(mm)	3.5	(90)	3.5	(90)
Track radius (inner).....	in	(mm)	150.6	(3825)	147.0	(3735)
Dimensions.....	see sketch		see sketch			
<b>Driving Characteristics (depending on site conditions)</b>						
Speed (with vibration).....	mph	(kmph)	0 - 3.4	(0 - 5.4)	0 - 3.4	(0 - 5.4)
Speed (transport).....	mph	(kmph)	0 - 7.8	(0 - 12.5)	0 - 7.8	(0 - 12.5)
Max. gradeability without/with vibration.....	%		40/35		40/35	
<b>Drive</b>						
Engine manufacturer.....			Deutz		Deutz	
Type.....			BF4L 1011		BF4L 1011	
Cooling-cylinder heads.....			Air		Air	
Cooling-cylinder liners.....			Oil		Oil	
Number of cylinders.....			4		4	
Performance ISO 9249.....	hp	(kW)	69.4	(51)	69.4	(51)
Speed.....	rpm		2500		2500	
Performance SAE J1349.....	hp	(kW)	74	(55.2)	74	(55.2)
Speed.....	rpm		2500		2500	
Electric equipment.....	V		12		12	
Drive system.....			hydrostatic		hydrostatic	
Drum driven.....			f + r		f + r	
<b>Brakes</b>						
Service brake.....			hydrostatic		hydrostatic	
Parking brake.....			SAHR		SAHR	
<b>Steering</b>						
Steering system.....			oscillating, articulating		oscillating, articulating	
Steering method.....			hydrostatic		hydrostatic	
Steering steering angle ±.....	degrees		35		35	
Oscillating angle ±.....	degrees		8		8	
<b>Vibratory system</b>						
Vibrating drum.....			f + r, f, r		f + r, f, r	
Drive system.....			hydrostatic		hydrostatic	
Frequency.....	rpm	(Hz)	2400/3000	(40/50)	2400/3000	(40/50)
Amplitude.....	in	(mm)	0.026/0.013	(0.66/0.33)	0.024/0.012	(0.60/0.31)
Centrifugal force (per drum).....	lbs	(kN)	12285/9810	(54.6/43.6)	12285/9810	(54.6/43.6)
<b>Water spray system</b>						
Water spray system type.....			pressurized		pressurized	
<b>Capacities</b>						
Fuel.....	gal	(l)	34.3	(130)	34.3	(130)
Water.....	gal	(l)	190.2	(720)	190.2	(720)
Hydraulic oil.....	gal	(l)	15.9	(60)	15.9	(60)
Engine oil.....	gal	(l)	2.5	(9.5)	2.5	(9.5)

Technical data subject to change without notice. Illustrations may show optional equipment.

Compaction America, Inc.  
2000 Kentville Road  
Kewanee, IL 61443  
Tel: 309 853-1002



**Compaction America**  
A United Dominion Company